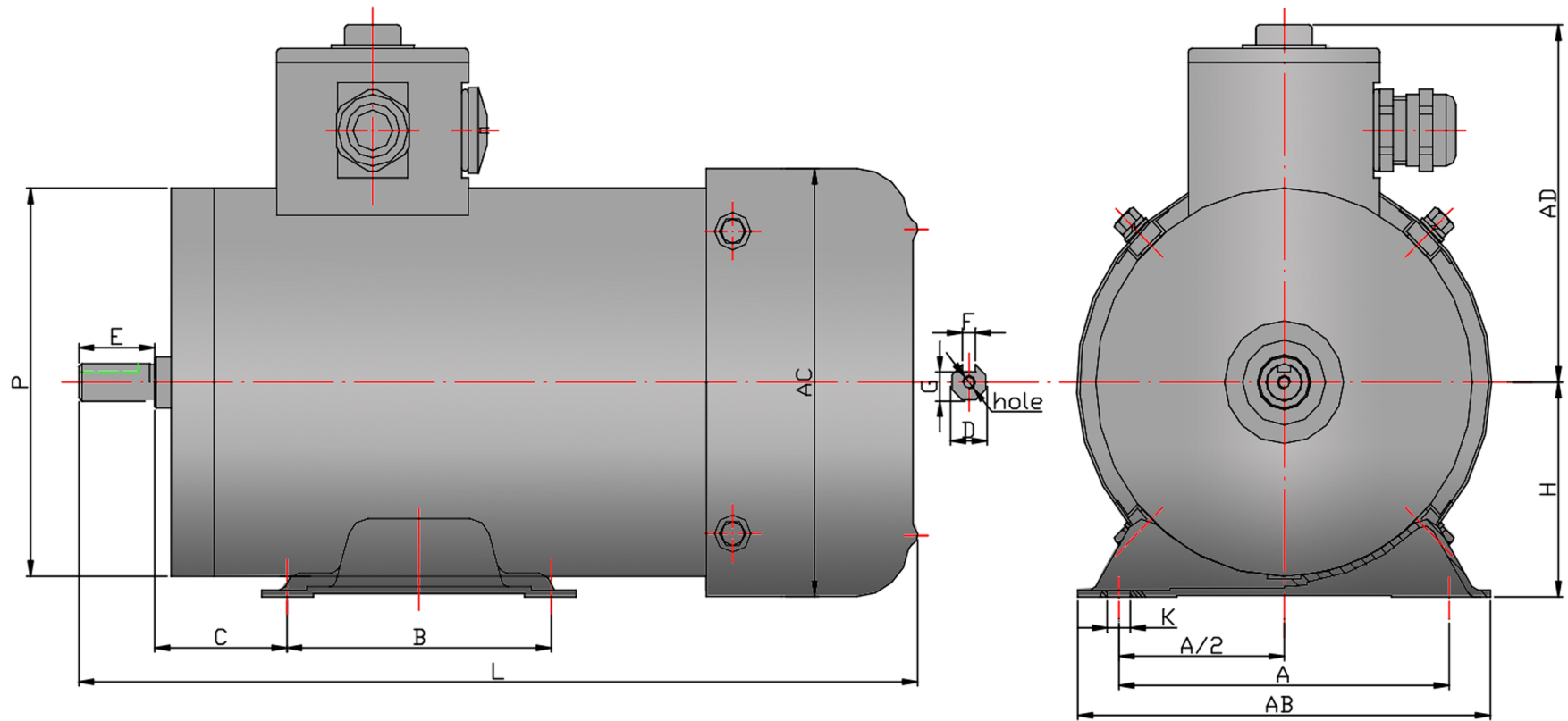


# MaxMotion



Version: WT11	Revised: 22-09-2021	<b>Frame</b>	<b>RPM</b>	<b>A</b>	<b>A/2</b>	<b>B</b>	<b>C</b>	<b>D</b>	<b>E</b>	<b>F</b>	<b>MPS/MQS-8022FC-S3</b>
Customer is responsible in determining that MEP product will fit/perform suitably in the intended application		80	3600	125	62.5	100	50	19	40	6	
		<b>G</b>	<b>H</b>	<b>K</b>	<b>P</b>	<b>hole</b>	<b>AB</b>	<b>AC</b>	<b>AD</b>	<b>L</b>	
		15.5	80	10	144	M6	150	156	128	361	